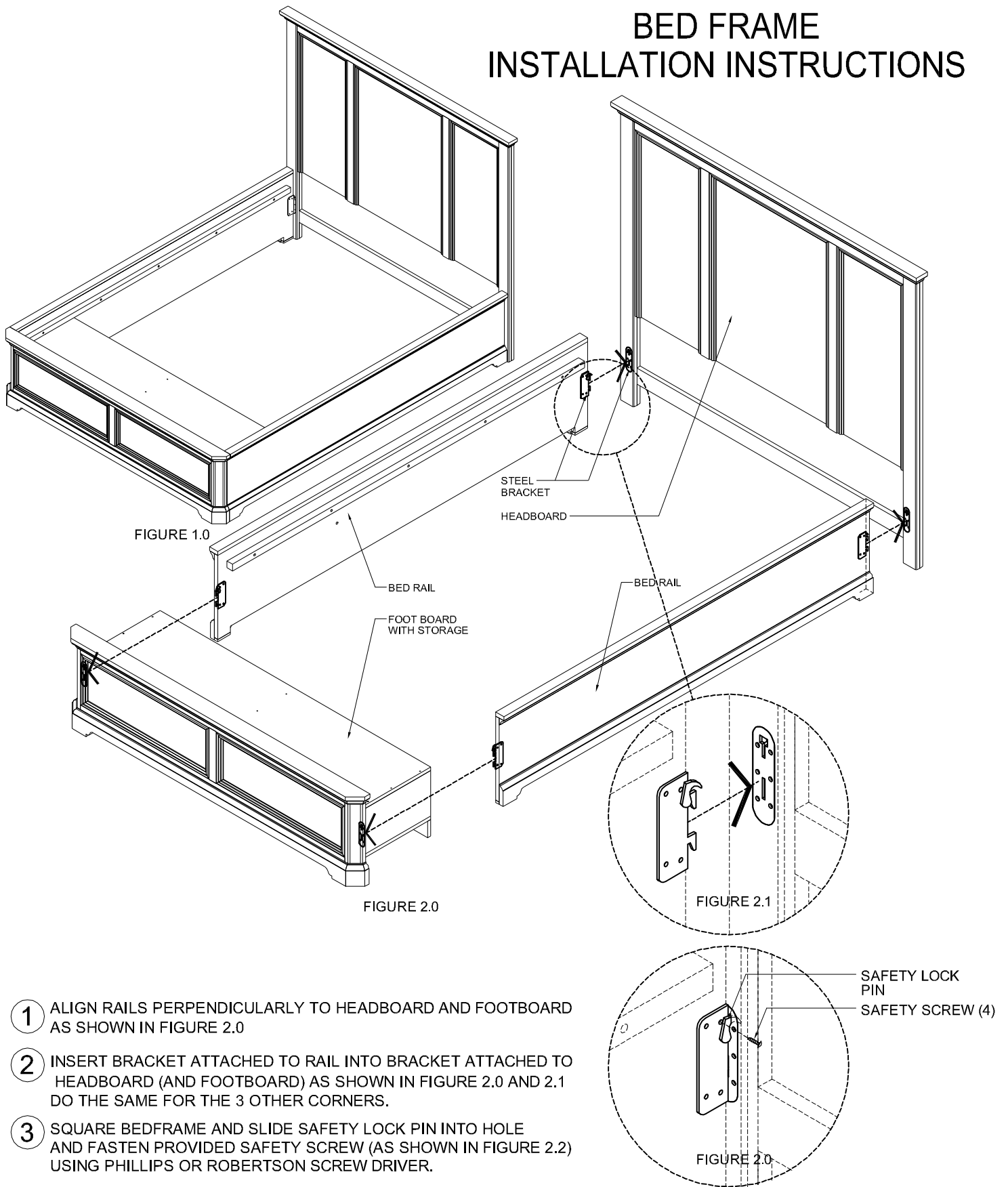
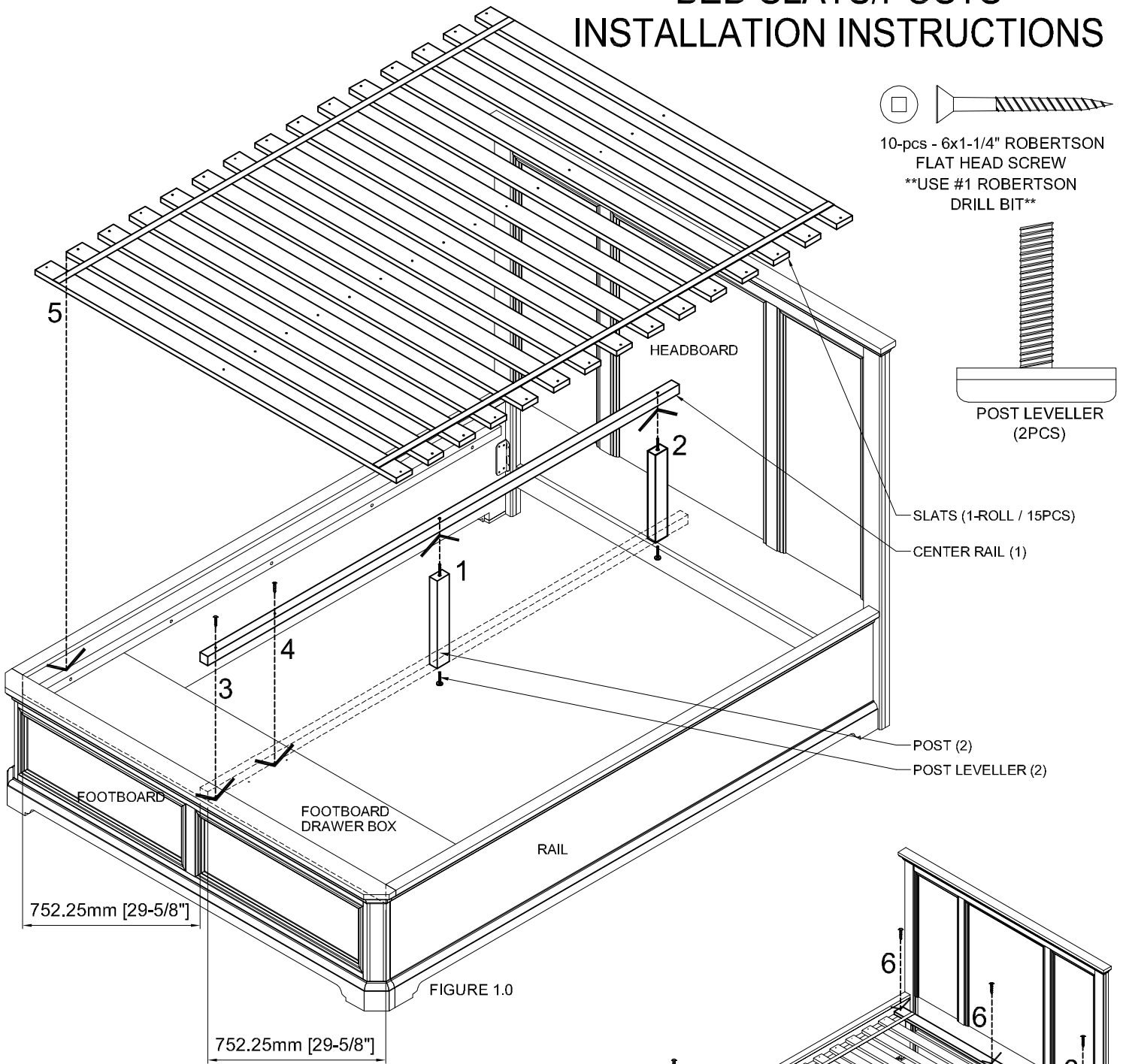


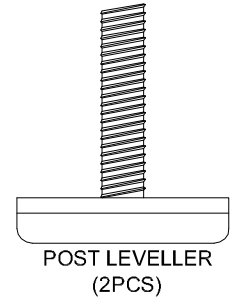
# BED FRAME INSTALLATION INSTRUCTIONS



# BED SLATS/POSTS INSTALLATION INSTRUCTIONS



10-pcs - 6x1-1/4" ROBERTSON  
FLAT HEAD SCREW  
\*\*USE #1 ROBERTSON  
DRILL BIT\*\*



SLATS (1-ROLL / 15PCS)  
CENTER RAIL (1)

POST (2)  
POST LEVELLER (2)

FIGURE 1.0

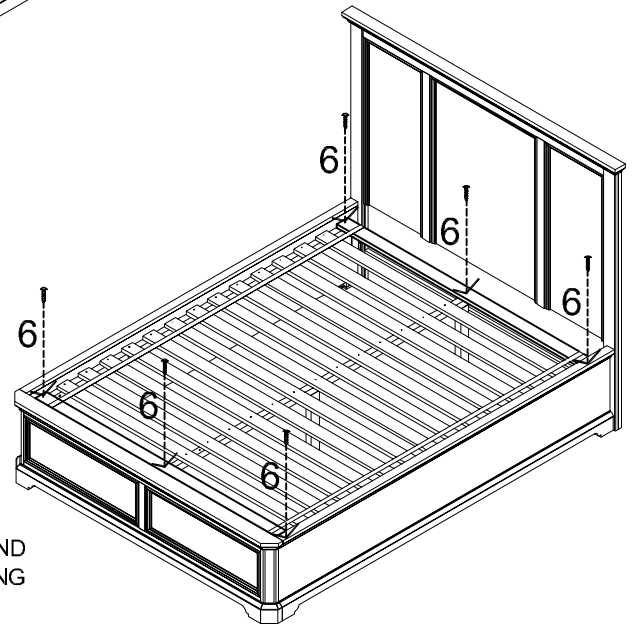
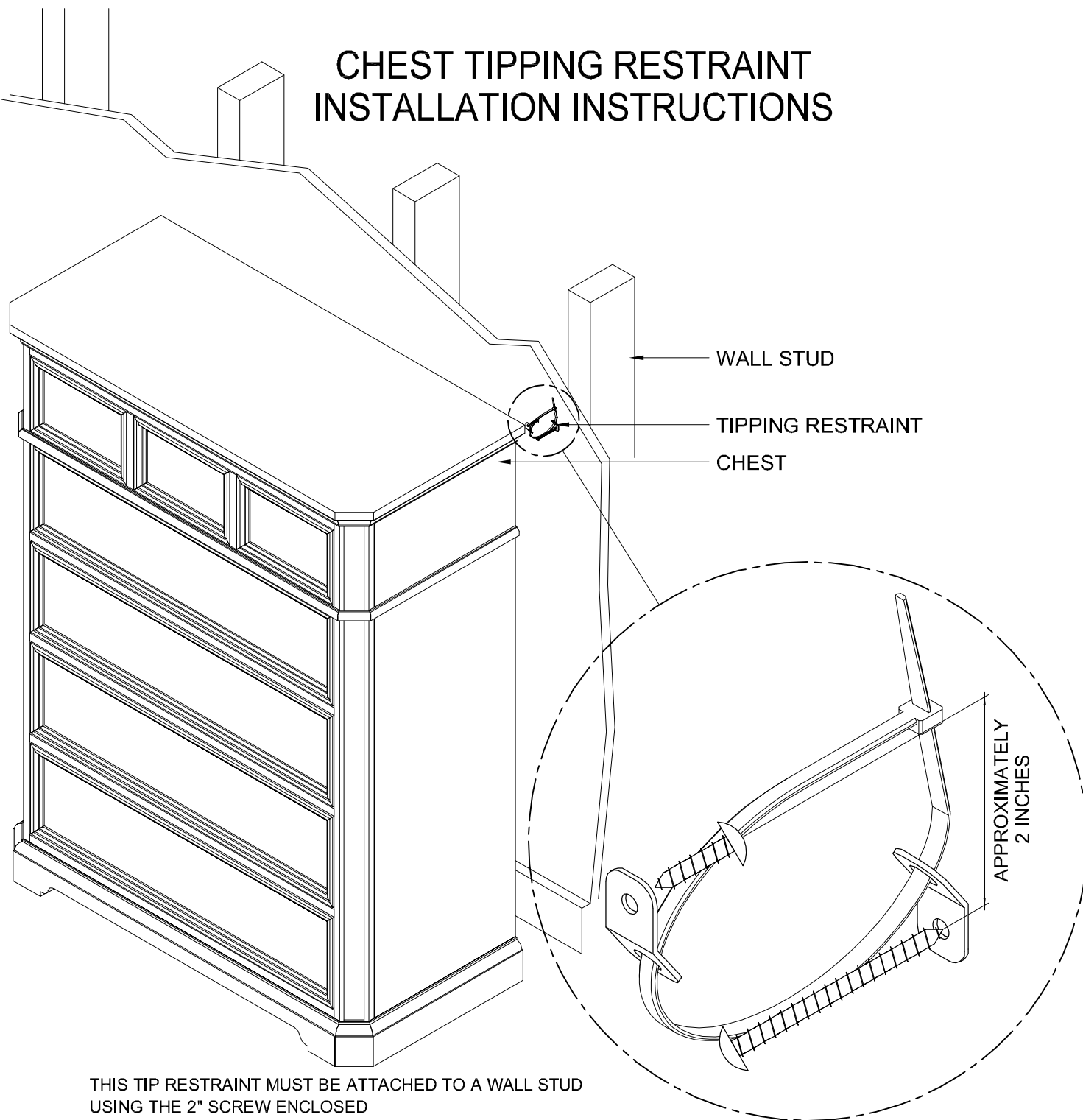


FIGURE 2.0

- 1 FASTEN POSTS (STEP 1 AND 2) TO THE WOOD CENTER RAIL.
- 2 FASTEN LEVELLERS (STEP 1 AND 2) ON THE WOOD POST BOTTOM. MAKE SURE ITS A LITTLE BIT LOOSE THAT IT CAN EASILY ADJUSTED TO THE HEIGHT REQUIRED.
- 3 PLACE ASSEMBLED CENTER RAIL ON TOP OF FOOTBOARD DRAWER BOX AND ALIGN AS SHOWN IN FIGURE 1.0. HOLD FIRMLY AND FASTEN SCREW (STEP 3 AND 4) THROUGH PRE-DRILLED HOLES USING ROBERTSON SCREW DRIVER.
- 4 PLACE ON TOP ROLLED SLATS (STEP 5) AS SHOWN AND SECURELY FASTEN SCREWS (STEP 6) AS SHOWN IN FIGURE 2 THROUGH PRE-DRILLED HOLES IN SLATS.

# CHEST TIPPING RESTRAINT INSTALLATION INSTRUCTIONS



THIS TIP RESTRAINT MUST BE ATTACHED TO A WALL STUD USING THE 2" SCREW ENCLOSED

- 1 ATTACH A BRACKET SECURELY TO THE TOP BACK RAIL OF THE FURNITURE USING THE 5/8" SCREW PROVIDED THROUGH THE SMALLER HOLE.
- 2 LOCATE THE OTHER BRACKET ON THE WALL OVER A STUD AND 2 INCHES BELOW THE MOUNTING BRACKET SECURED TO THE BACK OF YOUR UNIT. ATTACH TO THE WALL STUD USING THE 2 INCHES SCREW PROVIDED THROUGH THE SMALLER HOLE
- 3 PLACE THE FURNITURE INTO POSITION SO MOUNTING BRACKETS ARE VERTICALLY IN LINE
- 4 LACE THE END OF THE RESTRAINT STRAP THROUGH THE LARGER HOLE IN EACH MOUNTING BRACKET. BRING BOTH ENDS TOGETHER AND SLIDE THE FLAT END THROUGH THE LOCKING END AND DRAW IT THROUGH UNTIL ALL SLACKS IS REMOVED. AND SLIDE THE FLAT END THROUGH THE LOCKING END AND DRAW IT THROUGH UNTIL ALL SLACKS IS REMOVED.
- 5 CONFIRM THAT THE STRAP IS SECURELY LACED AND LOCKED.

# MIRROR-DRESSER INSTALLATION INSTRUCTION

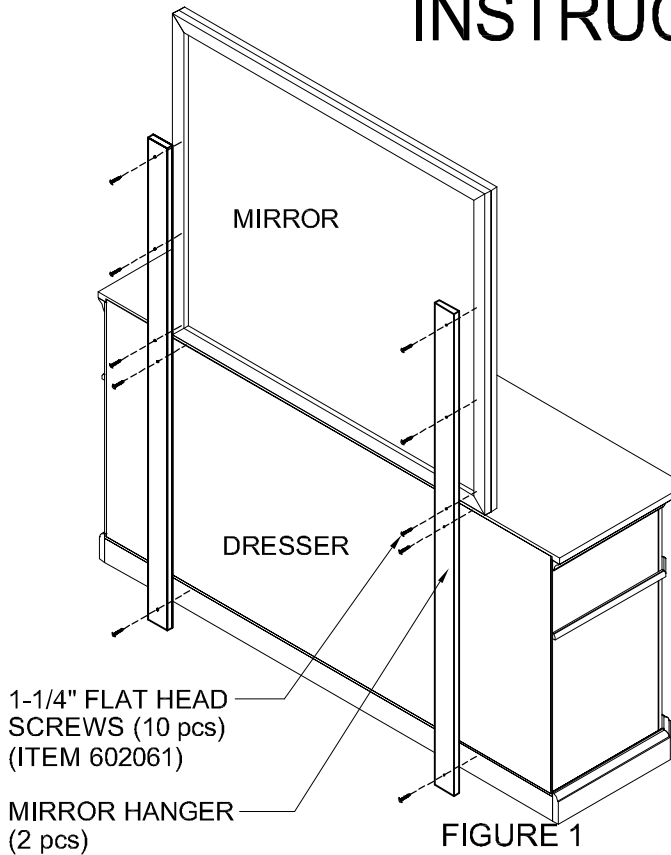


FIGURE 1

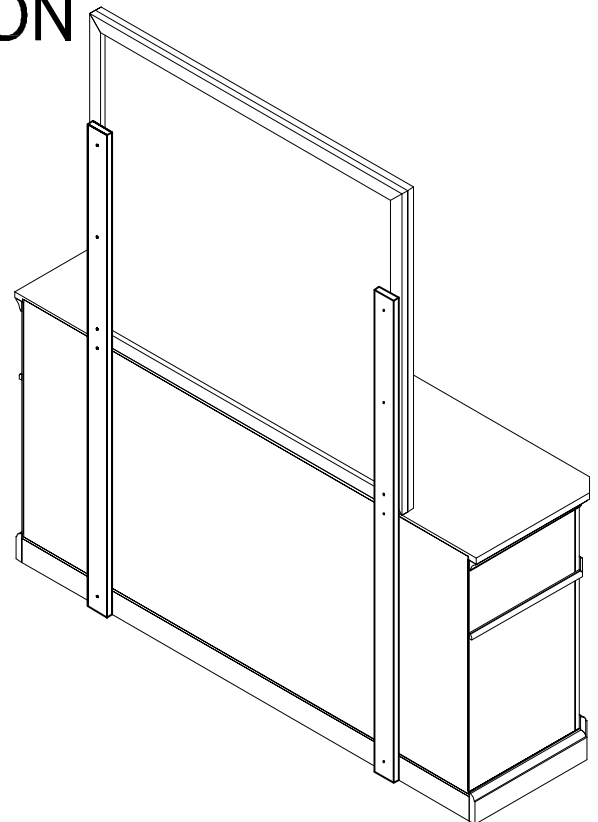


FIGURE 3

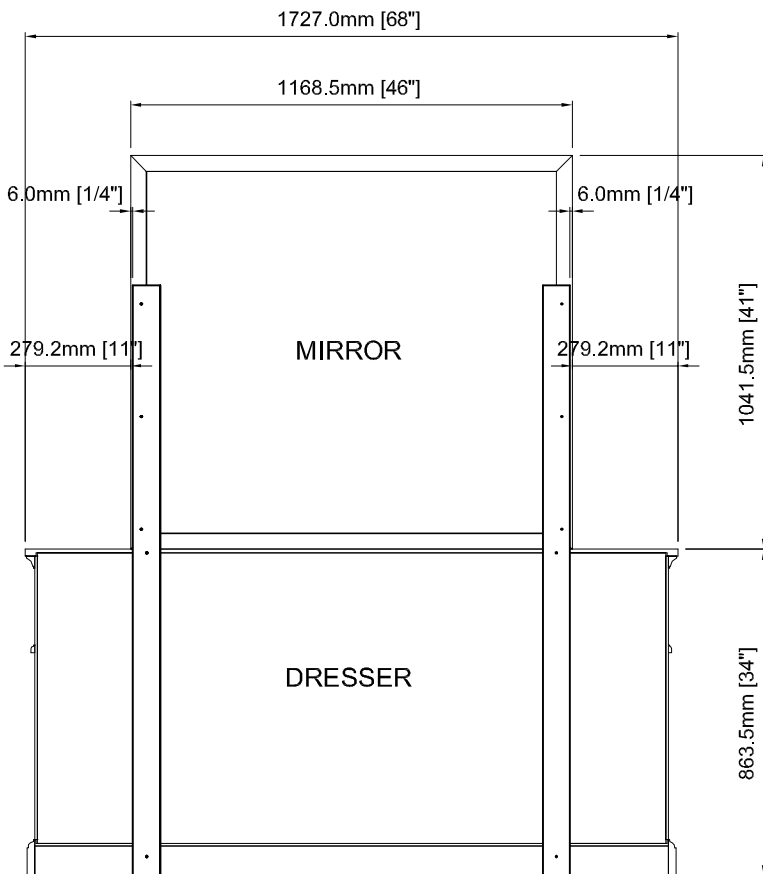
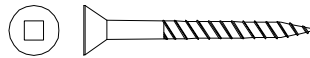


FIGURE 2



10-pcs - 6x1-1/4" ROBERTSON  
FLAT HEAD SCREW  
\*\*USE #1 ROBERTSON  
DRILL BIT\*\*

- 1 PLACE MIRROR ON TOP AND ALIGN TO DRESSER BELOW AT THE BACK (SEE FIGURE 2)
- 2 FIRMLY PLACE MIRROR AS SHOWN IN FIGURE 2 & 3. STARTING FROM TOP, FASTEN SCREWS USING A PHILLIPS OR ROBERTSON SCREW DRIVER THROUGH PRE-DRILLED HOLES
- 3 BE SURE TO HOLD MIRROR AND DRESSER FIRMLY IN PLACE. THEN CONTINUE FASTEN SCREWS THROUGH PRE-DRILLED HOLES (FIGURE 1)
- 4 DO THE SAME STEPS IN FIXING THE MIRROR HANGER ON THE OTHER SIDE

**DO NOT ANGLE SCREWS,**  
THIS COULD RESULT IN DAMAGE TO  
THE FINISHED SURFACE