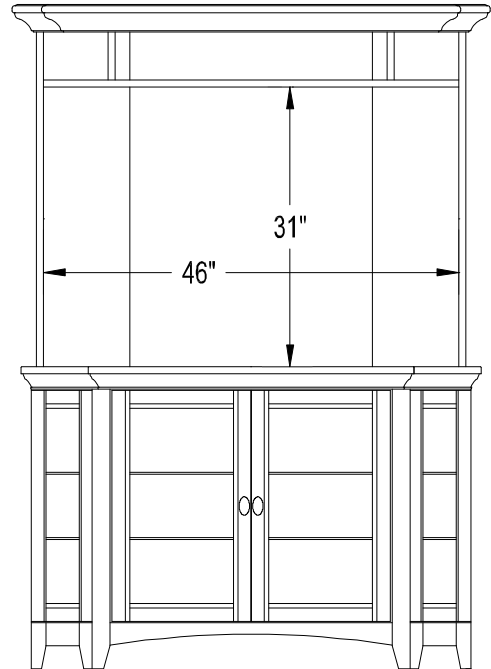


Weston Corner Entertainment

Available Finishes:

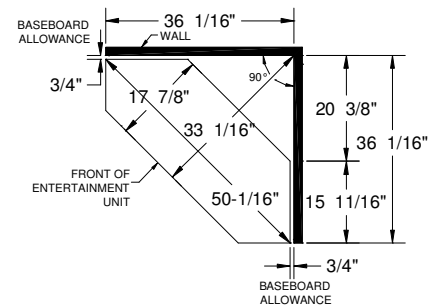
# 838 00	Western Oak
# 838 22	Manhattan Oak
# 838 27	Autumn Maple
# 838 39	Chocolate Maple



Design Features:

- **Wood Species:** - Solid 4/4 oak or maple used in mouldings, skirt and crown.
- Oak/Birch veneer used in top, bottom and sides
- **Lighting:** - N/A.
- **Shelves:** - 6 adjustable/removable glass shelves.
- **Joinery:** - Mortise and tenon frame construction.
- **Glass:** - 5mm thick glass side shelves
- 6mm thick glass centre shelves
- 4mm thick beveled glass door.
- **Hardware:** - Handle finished antique brass or satin nickel
- **Carton Weight:** - 130 lbs.
- **Carton Volume:** - 42.6 cu ft
- **Height:** - 72-1/2" from floor to tallest point.
- **Features:** - Full length piano hinges
- Fully adjustable glass shelves
- Side and centre storage and finished top
- **Inner Dimensions:**
 - Upper centre: 31-1/2" w x 13-1/2" d x 7-1/4" h
 - Upper sides: 7-1/4" w x 9-1/2" d x 7-1/4" h
 - Lower centre: 31-3/8" w x 15-1/4" d x 26-3/4" h
 - Lower sides: 11-11/16" w x 6-3/16" d x 26-3/4" h

Footprint/Floorplan:



Glass Shelf Size:

